

# BELLA FIGURA

## Tourbillion chandelier

CL58

Collection Name

**HALCYON COLLECTION**

These dynamic lights are fashioned in the image of a whirling vortex. The dancing waves depicted by the handbeaten rings in this majestic design sway from side to side like oscillating tide lines, seeming to waltz around the slim, silk lampshades suspended in their grasp. The ability to select any of our 300+ silk fabrics allows each piece to be customised

### Test Certification

UL (Underwriters Laboratories) test certificates available for the USA - will incur a surcharge

IEC (International Electrotechnical Commission) test certificates available - will incur a surcharge

### Compatible with



Yacht Club



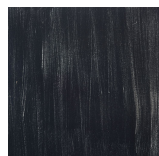
CL58 in hammered antique gold with 9 shades in dupion 5018W/1094

### Available Finishes

#### Metal Finishes



Antique Gold



Lead



Antique Silver



Decorated  
Bronze

#### Shade Silks

Over 300 Standard Silk options available

Cream card lining

Champagne Lining

#### Installation

Bella Figura do not supply ceiling hooks, screws or bolts for any of our chandeliers. A qualified fitter must assess the ceiling structure and provide the appropriate fixings based on the ceiling construction

### Available Sizes

---

# BELLA FIGURA

## Size one

CL58

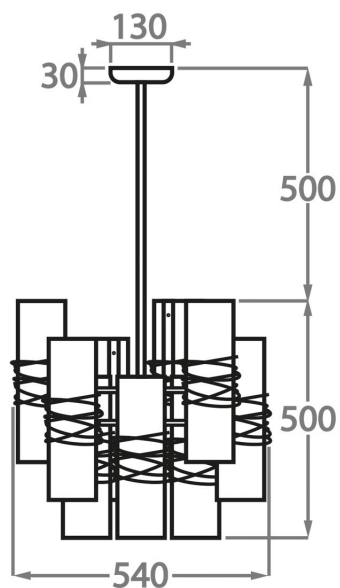
Height: 50 cm (19.69")

Diameter: 54 cm (21.26")

18 x 5W G9 LED

Max watt and Lamps: 5W

Net Weight: 12 kg / 27 lb



The above height is without the rod and ceiling rose. The standard rod and ceiling rose height is 50cm (20") if not otherwise specified by customer.